

SVA037-CA



Features

- Rugged metal case with fixed lens.
- Low power consumption.
- Easy installation, plug n play with CP4 and CRX
- IP69K waterproof
- AHD or CVBS output (cut green wire for AHD mode)
- 5, 10, 15, or 20m Extension Cable Length Available



1/3 SONY
SUPERHAD II CCD



DAY & NIGHT

DIGITAL
WDR

DIGITAL WIDE
DYNAMIC RANGE

DNR

DIGITAL NOISE
REDUCTION

DPC

DEAD PIXEL
COMPENSATION

LSC

LENS SHADING
COMPENSATION

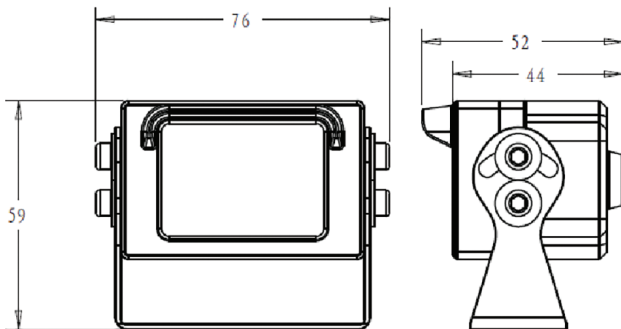


DC 12V



IP69K

Dimensions: unit = mm



Extension Cables: 5, 10, 15, and 20 m



Specifications

SVA037-CA	
TV System	NTSC
Image Sensor	1/3" WDR CMOS Sensor
Scanning System	Progressive Scan RGB CMOS
Effective Pixels	1280 (H) x 960 (W)
Synchronization	Internal
Sensitivity	0 Lux @ IR LED on
Video Output	1.0 Vp-p 75Ω, AHD
S/N Ratio	More than 44 dB (AGC Off)
Lens	F2.5mm Megapixel
Tilt Adjustment	0-62°
Auto Gain Control	AUTO (AGC)
Electronic Shutter	AUTO
Back Light Compensation	AUTO
Infrared Spectrum	850nm
Infrared LED	18 LEDs
Infrared LED Range	8m
ICR	Available
Noise Reduction	3D
Dynamic Range	83.5 dB
Power Supply	9~18V DC
Power Consumption	190mA
Dimensions	52mm(L) x 76mm(W) x 59mm(H)
Weight	210g
Weather/Water Proof	IP69K
Operating Temperature	-30°C to +70°C

*Specifications are subject to change without notice.