

SVA036-C2



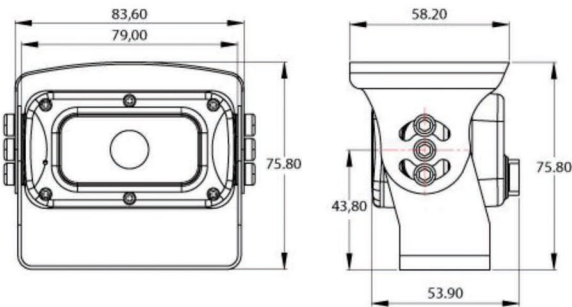
Features

- 1/3" NEXT CHIP NEPIS CCD
- Wide View 120° (2.9mm)
- 8pcs of 850nm IR LEDs
- 650 TV Lines
- WaterProof (Certified IP 68 / IP 69K)
- AGC, AWB, Auto Iris
- MIC.(44dB) -Option (CRX Only)
- Rugged Aluminum Housing
- Easy Installation & Angle Control
- Secure Aviator Cable Connector
- 5, 10, 15, or 20m Extension Cable Length Available



Dimensions

unit: mm



Cable



Extension Cable available in 5m, 10m, 15m, 20m

Alternative Views



Specifications

| SVA036-C2 | |
|---------------------|--|
| Image Device | 1/3" NEXT CHIP NEPIS CCD |
| Image Processor | NEXTCHIP Image Signal Processor NVP2080 (PELICAN-S) |
| Effective Pixel | (H)768x(V)494 (NTSC) / (H)752x(V)582 (PAL) |
| TV System | 2:1 Interlace |
| Video Output | CVBS 1Vp-p ±10%, 75Ω |
| Scan Freq. | (V)59.94Hz,(H)15.734KHz (NTSC) (V)50Hz,(H)15.625KHz (PAL) |
| Synchronization | Internal |
| H. Resolution | 650TV Lines |
| Sensitivity | 0.01Lux (F1.2, @50IRE) |
| S/N Ratio | More than 50dB with AGC OFF at 50IRE |
| White Balance | 2000 ~ 8000 *K Automatic tracking |
| BLC | Built-in, Center weighted (adjustable area) |
| AGC | Built-in, Factory set to ON |
| Mirror | ON / OFF |
| Lens | f=2.9mm, View 120°/f=3.6mm, View 90° |
| IR LEDs | 850nm IR LEDs 8EA CDS Sensor 1EA |
| Night View Distance | Outdoor 10m |
| Operating Power | 12V (ON:170mA / OFF:120mA)- 24V (ON:80mA / OFF:60mA) |
| Operating Condition | -20°C ~ +50°C, 85%RH, non-condensing |
| Audio | O |
| Housing Color | Black |
| IP Class | IP 68 / IP 69K |

