

SVA041-S



Features

- ▶ 1/3" 720H WDR CMOS Sensor
- ▶ Approx. 350K Pixels (550 TV Lines)
- ▶ Minimum Illumination: 0.2 Lux
- ▶ WDR / 2D-DNR Supported
- ▶ Operation Voltage : DC5V
- ▶ Slide Switch: NTSC or PAL Selectable
- ▶ 160 Degree Wide Angle Lens
- ▶ Adjustable Mounting Bracket



1/3 WDR
CMOS CCD



DAY & NIGHT



WDR
WIDE
DYNAMIC RANGE



DNR
DIGITAL NOISE
REDUCTION



DPC
DEAD PIXEL
COMPENSATION



LSC
LENS SHADING
COMPENSATION

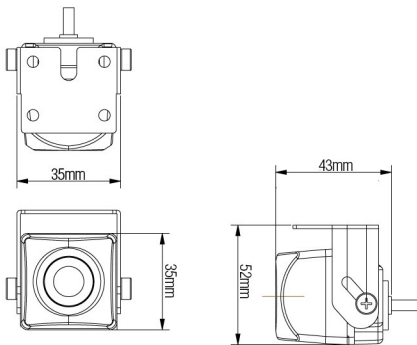


2.45mm
BOARD LENS

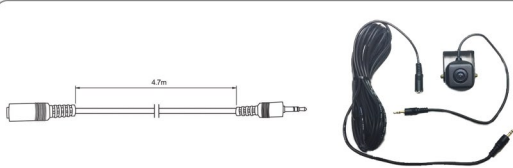


DC 5V

Dimensions



Cable



Stereo Cable

Alternative Views



Camera - Front



Camera - Back



Camera - Side

Specifications

SVA041-S		
Model	SVA041-S(V2)	
Signal System	NTSC	PAL
Pickup Device	1/3"(D-6mm) 720H WDR CMOS Sensor	
Scanning System	2:1 Interface	
Sync. System	Internal	
Total Pixels	400K [776(H)x516(V)]	
Effective Pixels	345K [720(H)x480(V)]	
Scanning Frequency	59.94Hz(VD)	50Hz(VD)
Min. Illumination	0.2Lux	
H-Resolution	Max. 550TV Lines(H)	
S/N Ratio	More than 43dB (AGC on)	
Lens	F=2.34 (F2.2)	
Lens (Mount)	Board Mount(M12)	
Angle of View	160°(D), 116°(H), 89°(V)	
Exposure	AE	
White Balance	ATW	
Day & Night Mode	Color (Default)	
Gain Control	Auto	
Electronic Shutter	1/60~1/2,000sec	1/50~1/2,000sec
WDR	Yes	
Noise Reduction	2D-DNR	
Signal Output	1.0 Vp-p Composite (75Ω)	
Power Source	DC5V only	
Power Consumption	Less than 0.7Watts (120mA@DC5V)	
Operating Temp.	-10°C ~55°C (Humidity :0%RH ~ 90%RH)	
Dimensions	52mm (Width) x 34.9mm (Height) x 43mm (Depth)	

