

# SVA030-S



## Features

- 1/3" Sony Super HAD CCDII Lens
- 600TV Lines Horizontal Resolution
- Excellent Low Light Sensitivity of 0.1Lux/F1.2 ( 0 Lux@IRLED on)
- Day & Night
- WDR : Wide Dynamic Range
- DNR : Digital Noise Reduction
- Board Lens f=2.9(120')mm
- Stereo Jack
- DC 5V
- \* Extension Cable : Stereo Jack(5M)



1/3 WDR  
CMOS SENSOR



DAY & NIGHT



WDR  
WIDE  
DYNAMIC RANGE



DNR  
DIGITAL NOISE  
REDUCTION



DPC  
DEAD PIXEL  
COMPENSATION



LSC  
LENS SHADING  
COMPENSATION



2.9mm  
BOARD LENS

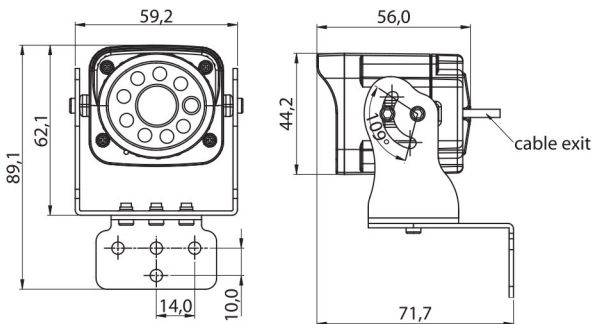


DC 5V

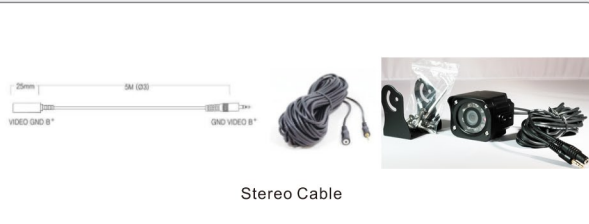


IP 68

## Dimensions



## Cable



## Alternative Views



## Specifications

### SVA030-S

Image Sensor	1/3" SONY SUPER HAD CCD, [High Sensitivity CCD II]
Total Pixels	728(H) x 488(V)
Horizontal Resolution	600TV Lines
Video Output	1.0 Vp-p [Composite, 75Ω]
Min. Illumination	0.1 Lux [F 2.0]
Lens	f=2.9mm, View 120°
Input Voltage	5V DC
Storage Temperature	-30°C ~ +80°C, 85%RH
Operating Temperature	-10°C ~ +60°C, 85%RH
IR LED	8 ea
Night View Distance	Outdoor 10m
MIC.	n/a
Housing Color	Black
IP Class	IP 68

