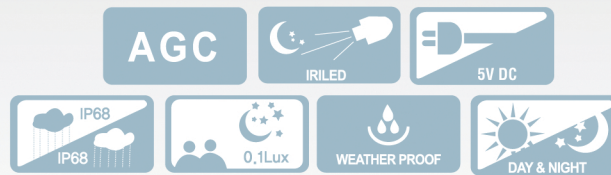


# SVA030-S



## FEATURES

**Sony 1/3" Super Had Color CCD  
(High Sensitivity CCD II)**

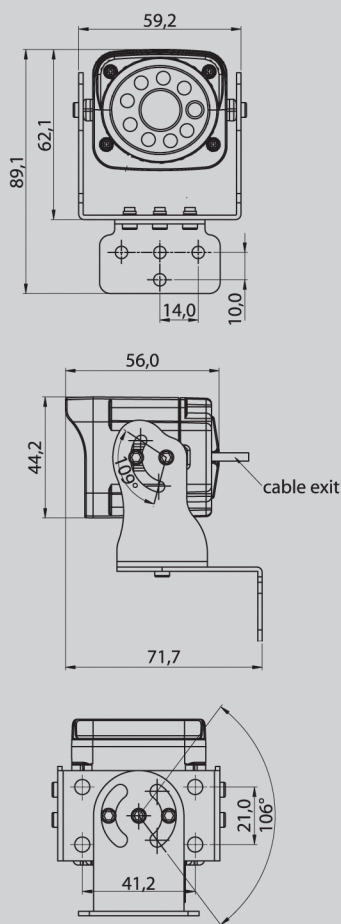
Wide View 120° (2.9mm)

380 TV Lines

WaterProof(Certify IP 68)

AGC, AWB, Auto Iris

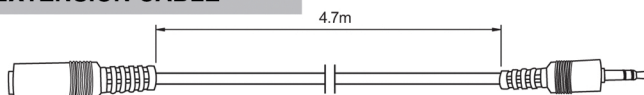
## DIMENSION (Unit:mm)



## SPECIFICATION

ITEM	DESCRIPTION
Image Sensor	1/3" SONY SUPER HAD CCD, (High Sensitivity CCD II) 270K Pixel
Total Pixels	(H)537 x (V)505 (NTSC) / (H)537 x (V)597 (PAL)
Horizontal Resolution	More than 380 TV Lines
Video Output	1.0 Vp-p (Composite, 75Ω)
Min. Illumination	0.1 Lux [F 2.0]
Lens	f=2.9mm, View 120°
Input Voltage	5V DC
Storage Temperature	-30°C ~ +80°C, 85%RH
Operating Temperature	-10°C ~ +60°C, 85%RH
IR LED	8 ea
Night View Distance	Outdoor 10m
MIC.	n/a
Housing Color	Black
IP Class	IP 68

## EXTENSION CABLE



Design and specifications are subject to change without notice.